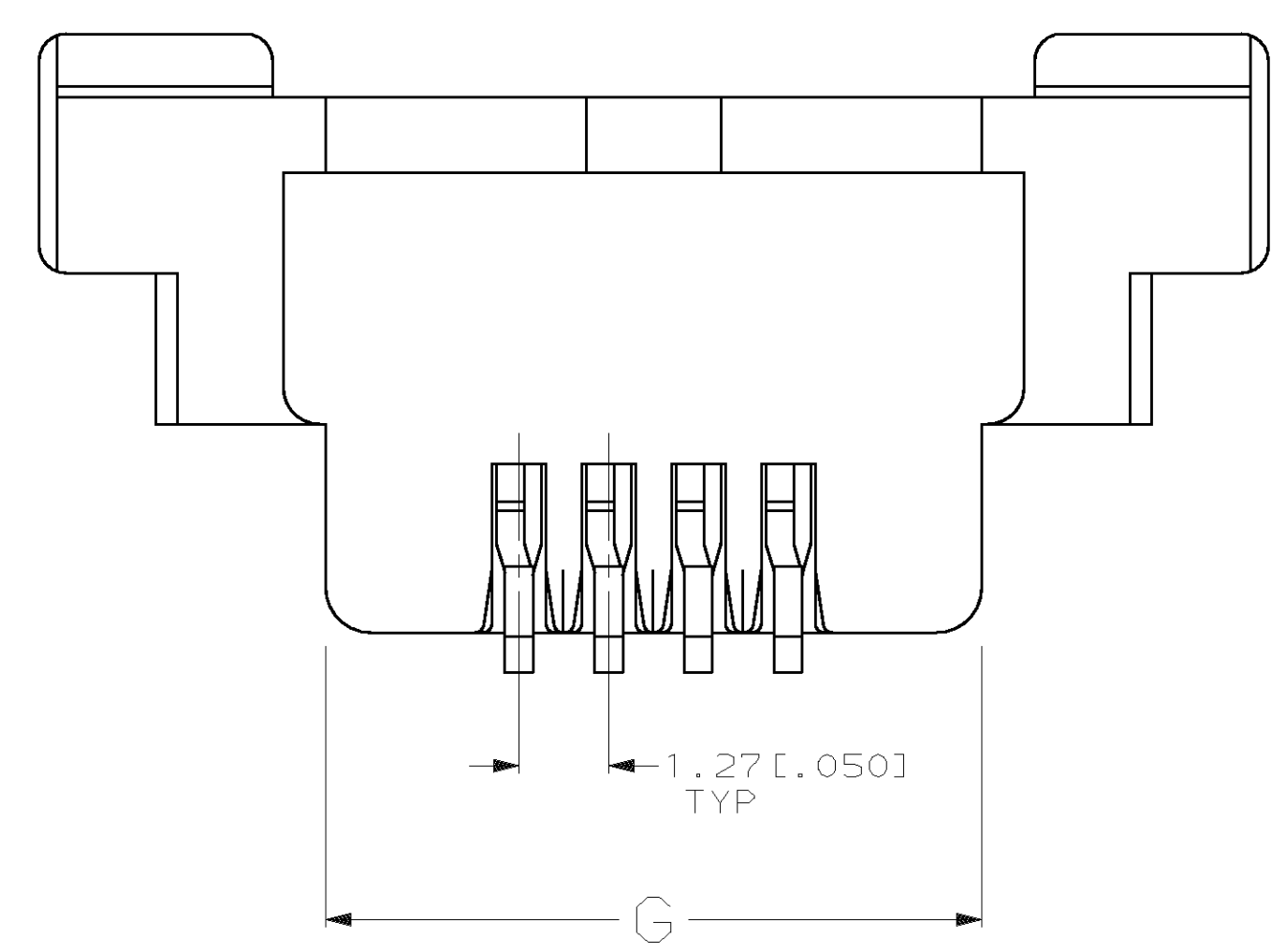
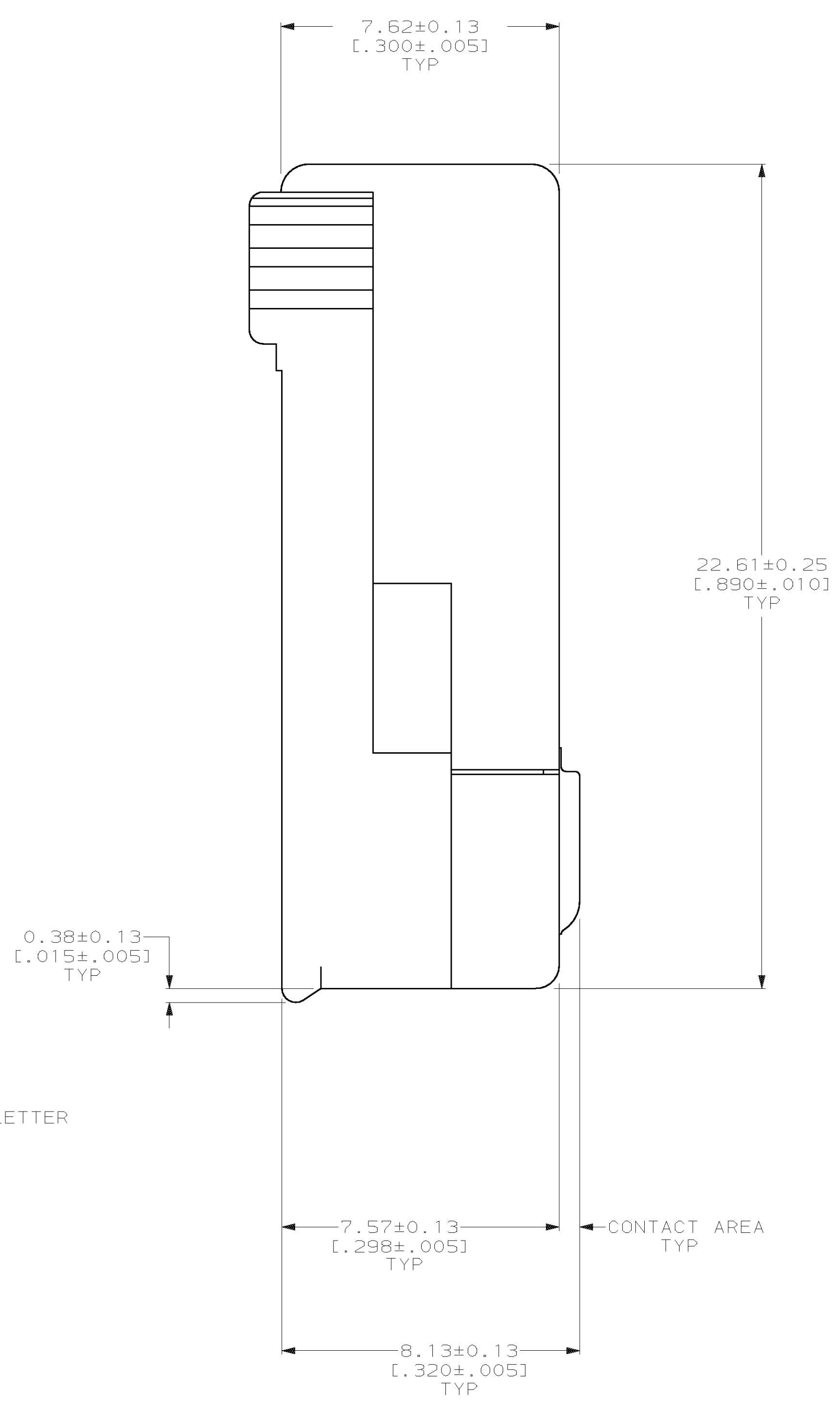
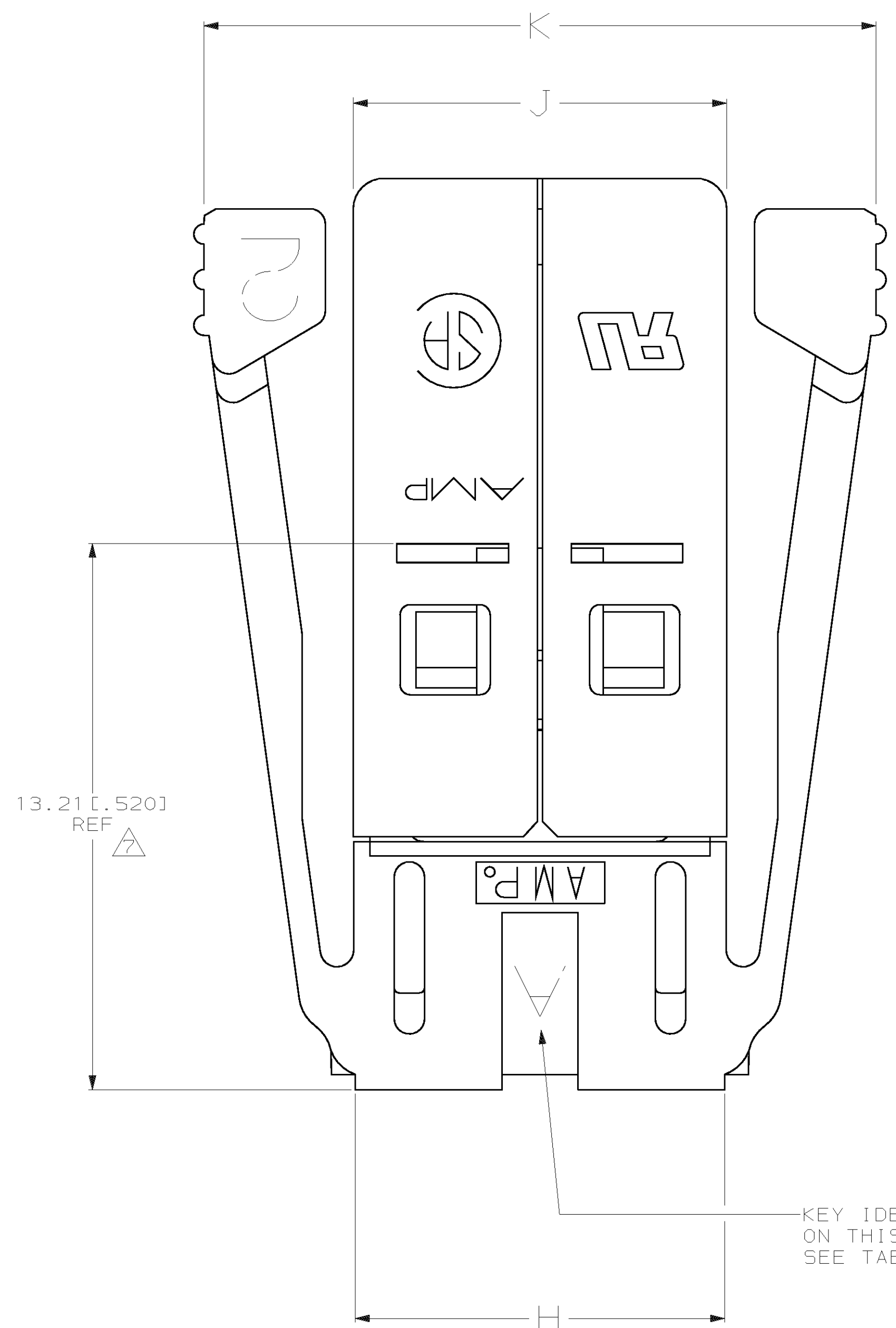


LOC	DIST	P	F	ZONE	LTR	DESCRIPTION	DATE	APPD
BD	26							
					M	REDRAWN PER EC 0020-488-94	07/11/94	SM
					N	OBSOLETE -26, -43 PER EC 0020-475-95	24 OCT 95	RB
					P	OBS -13, -16, -21, -23, -31, -33, -41, -46 PER EC 0020-1120-95	29 AUG 96	JGH
					R	REACTIVATED -13, -31 & -41 PER EC 0410-63-98	27 MAR 98	JS
					S	REV PER EC 0640-248-99	12 MAY 99	DM



KEY IDENTIFICATION LETTER
ON THIS SURFACE
SEE TABLE

- PREFIX AND SUFFIX NUMBERS MUST MATCH THOSE ON RECEPTACLE FOR PARTS TO MATE.
- MATERIAL:
HOUSING - POLYCARBONATE
CONTACT - COPPER ALLOY
SHIELD - BRASS
- FINISH:
HOUSING - BROWN
CONTACT - 2.03µm [.000080] MIN COPPER OVER ENTIRE PART,
2.54µm [.000100] MIN NICKEL OVER ENTIRE PART,
0.02µm [.000001] MIN GOLD OVER ENTIRE PART,
2.54µm [.000100] GOLD OVER CONTACT AREA.
SHIELD - BRIGHT TIN/LEAD 0.76µm [.000030] MIN
OVER 1.27µm [.000050] MIN NICKEL.
- CABLES MUST MEET AMP DRAWING SPECIFICATION 520471.
- CABLES MUST MEET AMP DRAWING SPECIFICATION 520475.
- CABLES MUST MEET AMP DRAWING SPECIFICATION 520477.
- INSERTION DEPTH INTO RECEPTACLE.
- BULK CABLE IS NOT AVAILABLE FROM AMP INC.

	32.11 [1.264]	24.76 [.975]	25.70 [1.012]	24.59 [.968]	16	E	△6	5-520809-6
	21.95 [.864]	14.60 [.575]	15.54 [.612]	14.43 [.568]	8	E	△5	5-520809-3
	16.87 [.664]	9.52 [.375]	10.46 [.412]	9.35 [.368]	4	E	△4	5-520809-1
OBSOLETE	32.11 [1.264]	24.76 [.975]	25.70 [1.012]	24.59 [.968]	16	D	△6	4-520809-6
OBSOLETE	21.95 [.864]	14.60 [.575]	15.54 [.612]	14.43 [.568]	8	D	△5	4-520809-3
	16.87 [.664]	9.52 [.375]	10.46 [.412]	9.35 [.368]	4	D	△4	4-520809-1
OBSOLETE	21.95 [.864]	14.60 [.575]	15.54 [.612]	14.43 [.568]	8	C	△5	3-520809-3
	16.87 [.664]	9.52 [.375]	10.46 [.412]	9.35 [.368]	4	C	△4	3-520809-1
OBSOLETE	32.11 [1.264]	24.76 [.975]	25.70 [1.012]	24.59 [.968]	16	B	△6	2-520809-6
OBSOLETE	21.95 [.864]	14.60 [.575]	15.54 [.612]	14.43 [.568]	8	B	△5	2-520809-3
OBSOLETE	16.87 [.664]	9.52 [.375]	10.46 [.412]	9.35 [.368]	4	B	△4	2-520809-1
OBSOLETE	32.11 [1.264]	24.76 [.975]	25.70 [1.012]	24.59 [.968]	16	A	△6	1-520809-6
	21.95 [.864]	14.60 [.575]	15.54 [.612]	14.43 [.568]	8	A	△5	1-520809-3
	16.87 [.664]	9.52 [.375]	10.46 [.412]	9.35 [.368]	4	A	△4	1-520809-1
	K	J	H	G	NO OF POSN	KEY I.D. LETTER	PART NO	

DO NOT SCALE PRINT. UNLESS SPECIFIED DIMENSIONS IN mm [INCHES] TOLERANCES ON: 2 PLC DEC ±0.38 [.015] 3 PLC DEC ± - ANGLES ± -		DR 07-11-94 D.HARDY		AMP Incorporated Harrisburg, PA 17105-3508	
MATERIAL △2		CHK 07-14-94 R.STONE			
FINISH △3		APPD 07-14-94 S.MORIN		NAME PLUG ASSEMBLY, SPECIAL, 50 SERIES, FLAT CABLE, SDL	
PRODUCT SPEC 108-2047 & 108-2051		APPD 07-14-94 S.MORIN		SIZE D	
APPLICATION SPEC 114-2086		WEIGHT -		CAGE CODE 00779	
				DRAWING NO C-520809	
				SCALE 10:1	
				SHEET 1 OF 1	

THIS DRAWING IS A CONTROLLED DOCUMENT FOR AMP INCORPORATED. IT IS SUBJECT TO CHANGE AND THE CONTROLLING ENGINEERING ORGANIZATION SHOULD BE CONTACTED FOR THE LATEST REVISION.